

Wireless Multi-channel Water Leak Detection Sensor

Model: WH55

Contents

1. Introduction	4
2. Get Started	5
2.1 Parts List	5
3. Overview	6
3.1 Features	8
4. Setup Guide	9
4.1 Install batteries	9
5. Sensor Placement	15
6. Wi-Fi Configuration with gateway	16
6.1 Pair with Gateway	16
6.2 Wi-Fi Connection for the Gateway	18
7. View Online Data with WS View Plus/ Ecovitt APP	18
8. Set Email Alerts	21
9. Specification	23
10. Warranty Information	24



- *Please scan the QR code to read English manual and keep it for future reference
- *Bitte scannen Sie den QR-Code zudeutsche Anleitung lesen und aufbewahren fürZukunftsbezug
- *Si prega di scansionare il codice QR perleggi il manuale italiano e conservalo perReferenza futura

Instruction manuals

<https://www.ecowitt.com/support/download/67>



MADE IN CHINA



AC WORKS CONSULTING Srl
Via Vilfredo Pareto 125,47521
Casena(FC),ITALY



HUA TENG LIMITED
3 Glass Street, Hanley, Stoke On Trent,
ST1 2ET United Kingdom

Help

Our product is continuously changing and improving, particularly online services and associated applications. To download the latest manual and additional help, please contact our technical support team:

support@ecowitt.com

support.eu@ecowitt.net (EU/UK)

1. Introduction

Thanks for purchasing this WH55 wireless multi-channel water leak detection sensor. The alarm will be triggered when water seepage is detected. The wireless signal can be received by the Wi-Fi Gateway (sold separately) and the sensor data can be viewed on our WS View Plus/ Ecowitt APP mobile application after the Wi-Fi configuration done. This device will also work with the HP2551/HP3500/HP3501 weather station (all sold separately) in the future.

To ensure the best product performance, please

read this manual and retain it for future reference.

2. Get Started

2.1 Parts List

One Multi-channel Water Leak Sensor

One User Manual

3. Overview

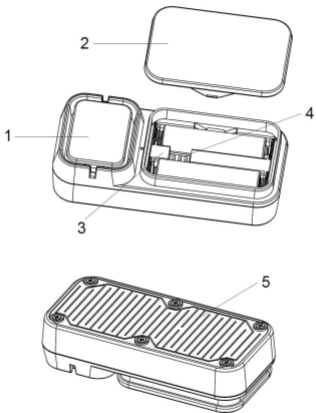


Figure 1: Multi-channel Water Leak Sensor

1	Buzzer (inside the device)
2.	Battery cover
3.	LED indicator
4.	Dip switches for multi-channel
5.	Sensor contact

Table : Sensor parts identification

3.1 Features

- Detects water seepage every 3 seconds.
- Emits loud alarm with 90dB once triggered.
- High or low sensor sensitivity selectable to meet different requirements.
- Works with Wi-Fi gateway (sold separately) to complete the Wi-Fi configuration on WS View Plus/ Ecowitt APP application.
- View live sensor data on the app once Wi-Fi configuration done.
- Email alerts available once the gateway device added successfully on our free Ecowitt Weather Server:
<https://www.ecowitt.net>.
- Each Wi-Fi gateway supports to add up to 4

channels water leak sensors. Channel names can be edited both on the app and Ecowitt Weather Server.

- Battery power level display on the WS View Plus/ Ecowitt APP.

4. Setup Guide

4.1 Install batteries

1.Remove the battery door on the back of the transmitter(s) by taking off the cover, as shown in Figure 2 .

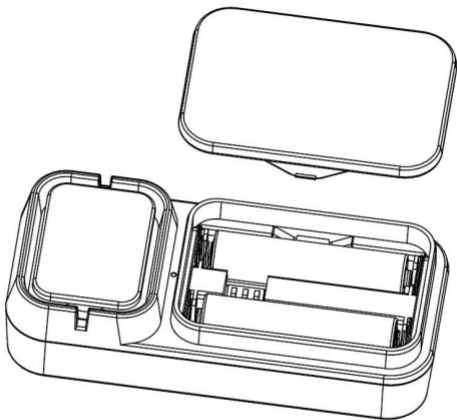


Figure 2: Battery installation

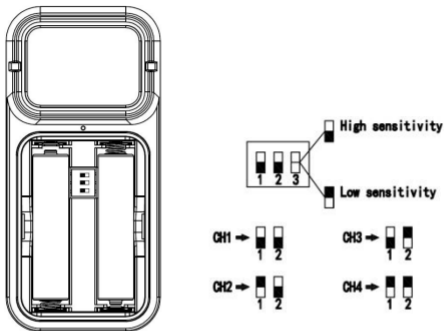
2. Before inserting the batteries, find the dip switches instruction above the battery compartment and set the sensor sensitivity level and channel number:

Sensitivity Level: To change the sensor sensitivity of detection (High or Low), change Dip Switch 3, as referenced in Figure 3.

High sensitivity: The water leakage alarm will be triggered when the detected water leak capacitance value equals to or over 60PF and be muted when the value equals to or lower 50PF.

Low sensitivity: The water leakage alarm will be triggered when the detected water leak capacitance value equals to or over 90PF and be muted when the value equals to or lower 80PF.

Channel Number: This device supports up to four sensors. To set each channel number, change Dip Switches 1 and 2 , as referenced in Figure 3.





 Switch in down position.
  Switch in up position.

Figure 3: Dip Switch diagram

3.Insert two 1.5V AAA batteries.

The LED indicator will turn on for four seconds and normally flash once every 60 seconds (the sensor transmission update period).

Note: If no LED light up or is lighted permanently, make sure the battery is inserted the correct way or a proper reset is happened. Do not install the batteries backwards. You can permanently damage the sensor.

4.Verify the correct channel number (CH) and sensor sensitivity level (High or Low) are

selected.

5. Close the battery door.

Repeat for the additional remote transmitters (sold separately), verifying each remote is on a different channel.

5. Sensor Placement

This device can be placed at multi locations include under-the-sink cabinet in a kitchen or bathroom, near a water heater, a basements, a sump pump, a toilet, a washer, a humidifier, an AC unit, or ice-making refrigerator.

6. Wi-Fi Configuration with gateway

If you want to view the water leak sensor data on your mobile application and receive email alerts on our weather server, you need to pair this device with our Wi-Fi Gateway (sold separately).

6.1 Pair with Gateway

If the Wi-Fi Gateway has been in operation, and you have never had any WH55 multi-channel water leak sensor(s) setup before, just power up the sensor(s) and Wi-Fi Gateway will pick the sensor data

automatically.

If one WH55 sensor has been hooked on Wi-Fi Gateway before, and you have a new WH55 sensor to replace the old one, just power off the old sensor and power on the new sensor, the gateway will pick up the new sensor data automatically.

Then you may go to the Sensor ID page of the app (requires the Wi-Fi configuration done first) to Re-register or disable sensor(s) to ensure it's on the correct channel you.

6.2 Wi-Fi Connection for the Gateway

For this part, please refer to the manual of the Wi-Fi gateway.

Any question, please contact the customer service.

7. View Online Data with WS View Plus/ Ecowitt APP

When the Wi-Fi configuration is done, you may view leakage detection condition as well as the sensor battery level on WS View Plus/ Ecowitt APP at the live data page.

Live Data	
Back	GW1000A-WIFI24AD
More	
Indoor Temperature	Indoor Humidity
26.2 °C	56 %
Absolute Pressure	Relative Pressure
1012.2 hPa	1012.2 hPa
CH1 Leak	Normal
Firmware Version	
GW1000A_V1.5.5	

Live Data	
< Device List	More
GW1000A-WIFI24AD	
Indoor Temperature	Indoor Humidity
25.7 °C	60 %
Absolute Pressure	Relative Pressure
1013.5 hPa	1013.5 hPa
CH1 Leak	Normal
FW1000A_V1.5.5	

Note: It requires your phone and the gateway using the same network to view your sensor data on the WS View Plus/ Ecowitt APP.

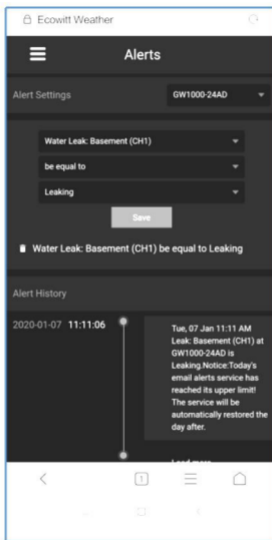
To remote monitor the sensor data, please upload the data to our free Ecowitt Weather Server: <https://www.ecowitt.net>.

Detailed operation instructions can be found on the Wi-Fi Gateway manual.

Any question, please feel free to contact our customer service at support@ecowitt.com

8. Set Email Alerts

Once your device added successfully on the Ecowitt Weather server, you may set alerts for the water leak sensor(s) on the website to get email notifications.



9.Specification

Power: 2X 1.5V AAA batteries(not included)

Sensor Size: 95x45x22.8mm

Frequency: 915/868/433Mhz(optional)

Wireless transmitting range: 100M(300feet)

Alarm Decibel: 90dB

Sensor detecting interval: 3 seconds

Sensor reporting interval: 60 seconds

Waterproof level: IP44

Working temperature: 0~50°C(32~122°F)

Note: Once water seepage is detected, the device will emit 90dB alarm, and the ecowitt.net will push email alerts at the same time.

10.Warranty Information

We disclaim any responsibility for any technical error or printing error, or the consequences thereof.

All trademarks and patents are recognized.

We provide a 1-year limited warranty on this product against manufacturing defects, or defects in materials and workmanship.

This limited warranty begins on the original date of purchase, is valid only on products purchased, and only to the original purchaser of this product. To receive warranty service, the purchaser must contact us for problem determination and service procedures.

This limited warranty covers only actual defects within the product itself and does not cover the cost of installation or removal from a fixed installation, normal set-up or adjustments, or claims based on misrepresentation by the seller, or performance variations resulting from installation-related circumstances.