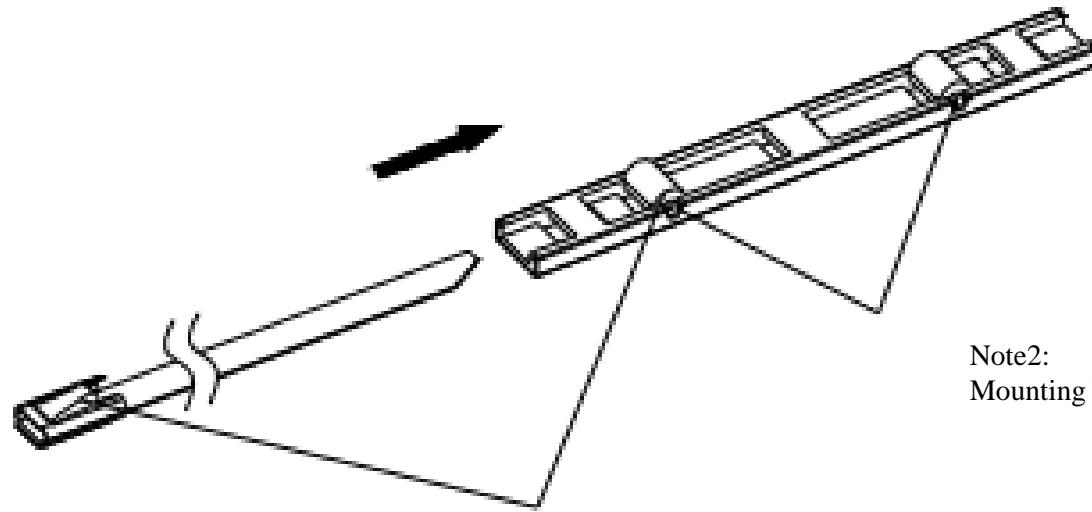


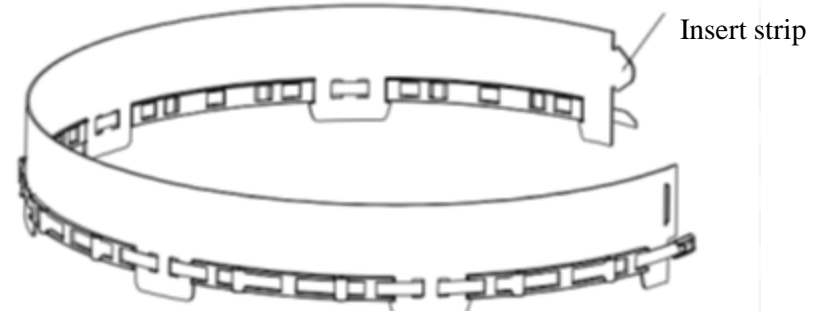
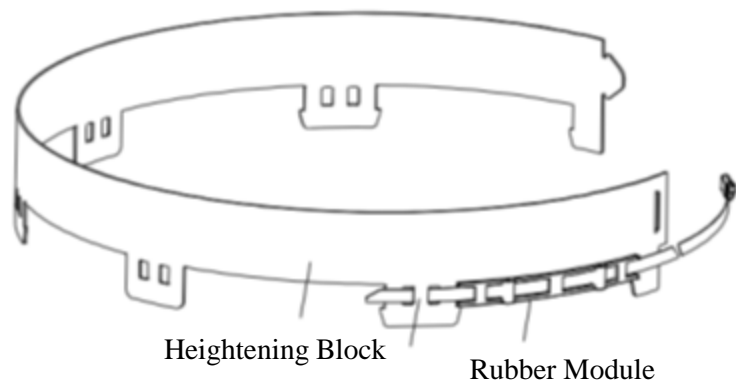
Step1: Connect the First Rubber Module



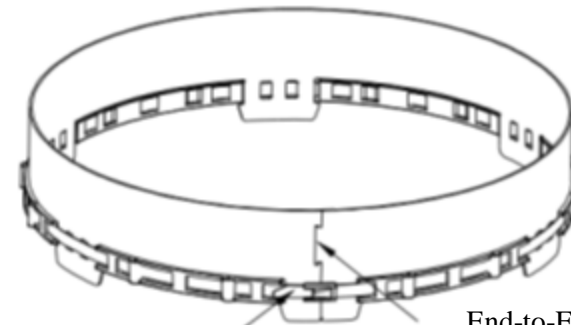
Note2:
Mounting holes for Bird Pricklers

Note1:
Please place the stainless steel cable tie
and the rubber protrusion on the same
surface

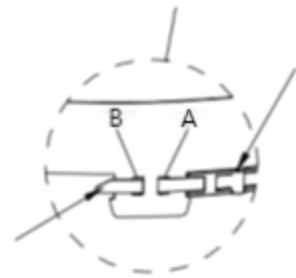
Step2: Use the Stainless Steel Cable Tie to Connect the Rubber Module with the Heightening Block



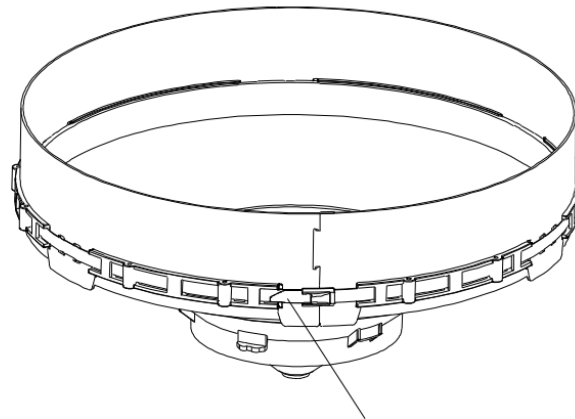
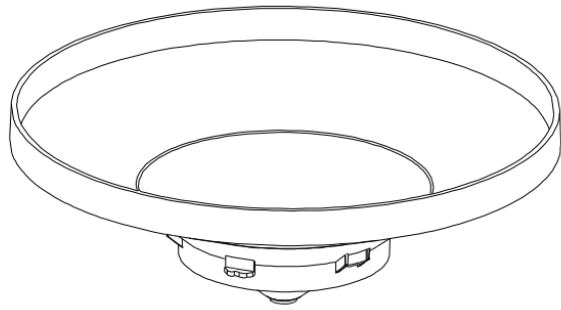
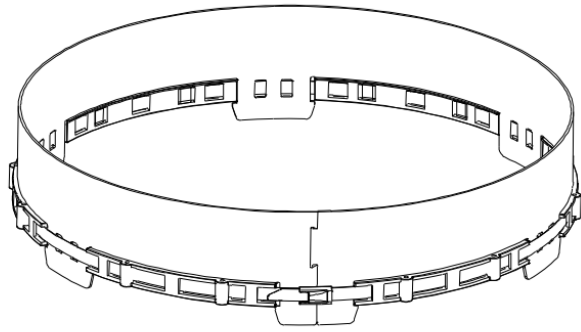
Note1:
Use a stainless steel cable tie to connect the block and 6 rubber module



End-to-End Connection for steel cable tie

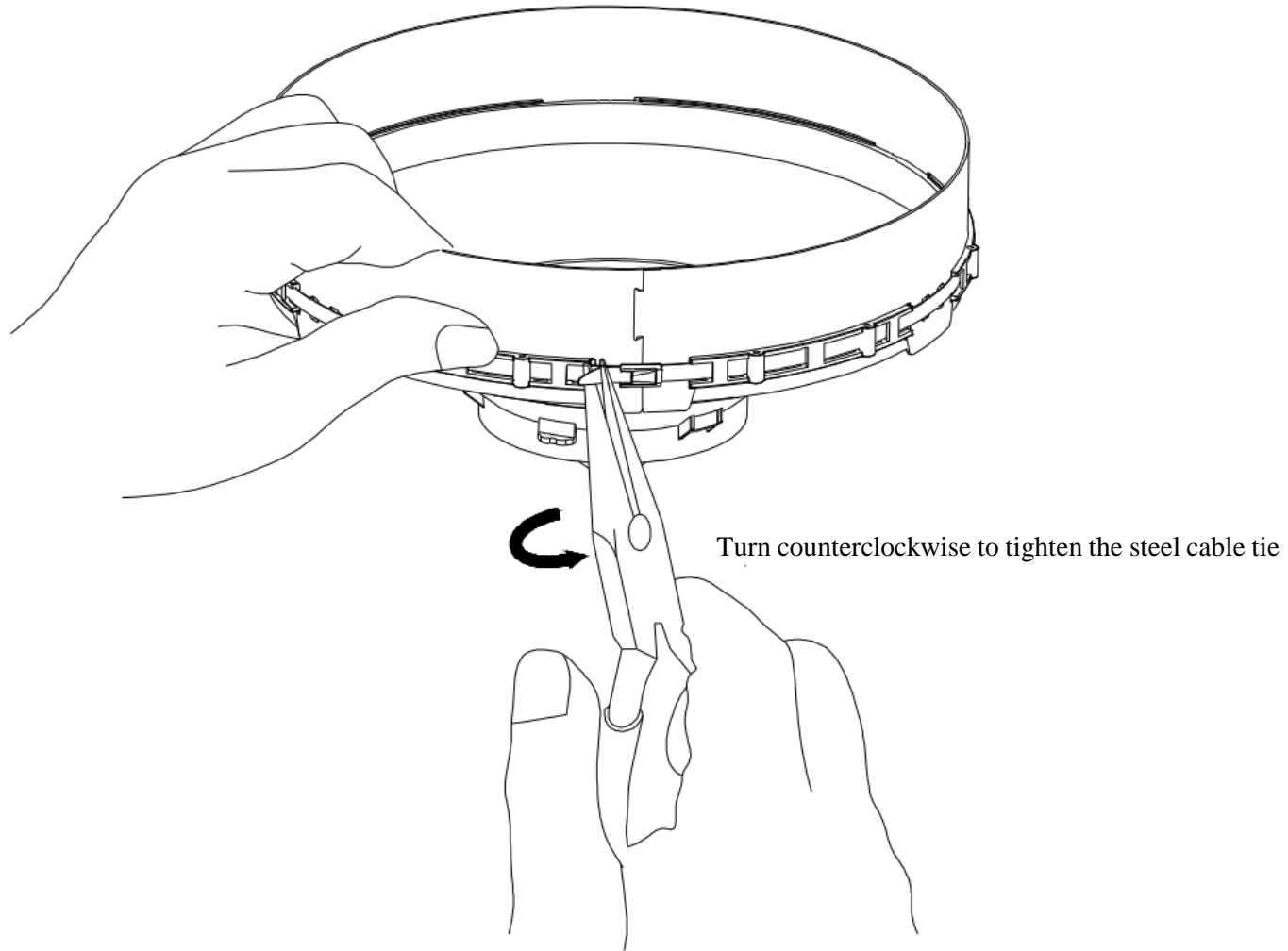


Step3: Tie the Heightening Block on Rain Cylinder Funnel

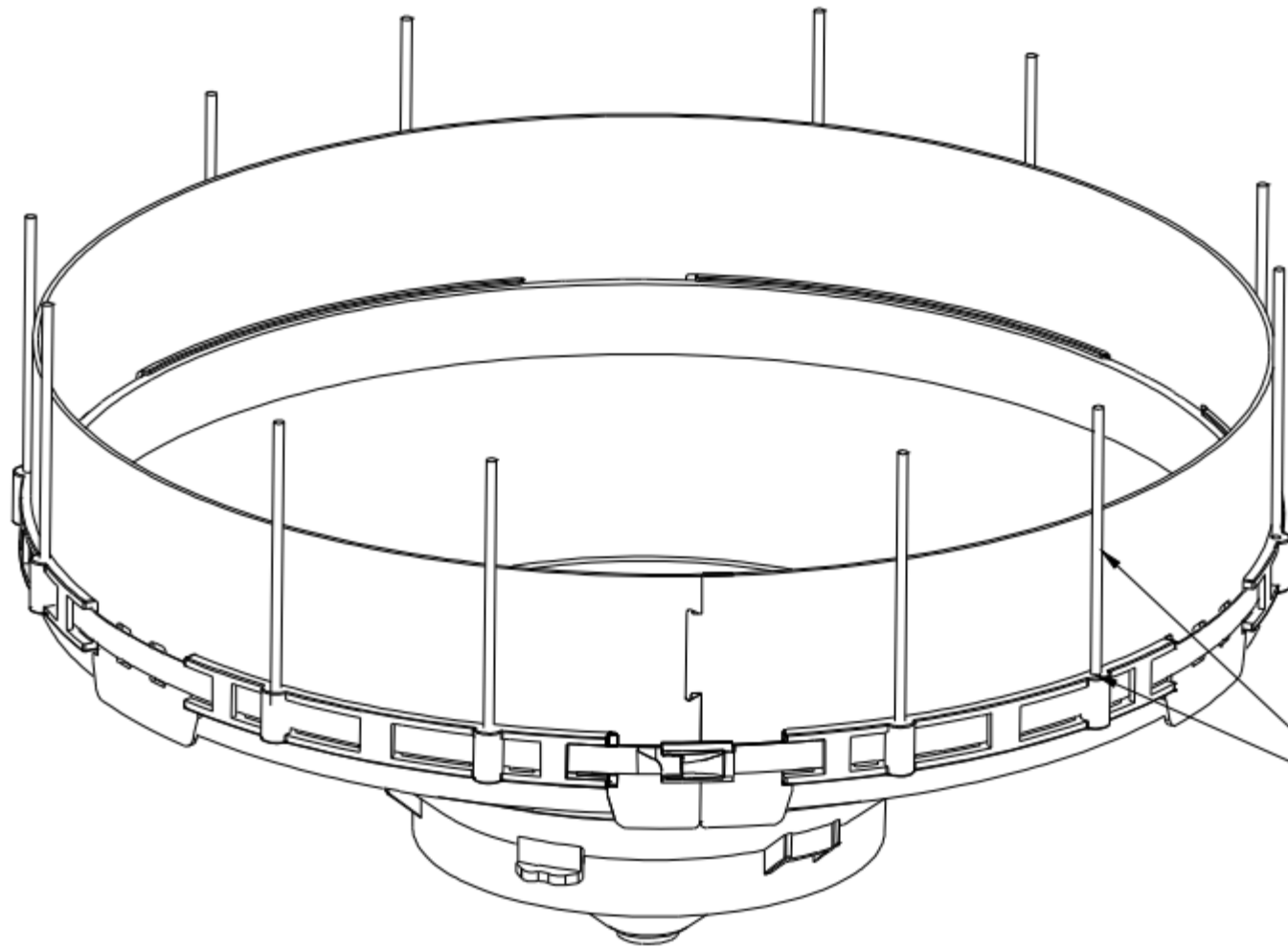


Tighten the steel cable tie by hand after the connection

Step4: Tighten the Steel Cable Tie with Needle Nose Pliers



Step5: Mount Bird Pricklers to Finish



Mount bird pricklers, 12 in all