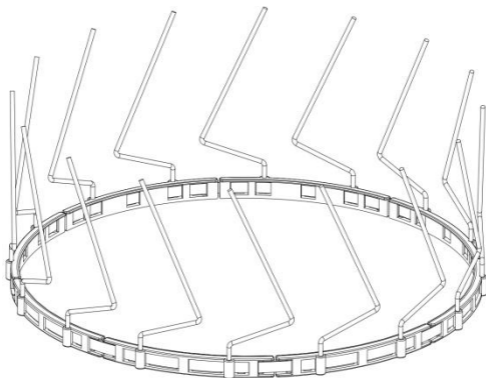


# Bird Spikes

**For WH40, WS69, WS80 and WS90**



# Contents

1. Parts List .....	4
2. Installation Steps .....	4
3. Effect Pictures .....	12
4. Suggestions .....	14
5. Warranty Information .....	14



- \*Please scan the QR code to read English manual and keep it for future reference
- \*Bitte scannen Sie den QR-Code zudeutsche Anleitung lesen und aufbewahren fürZukunftsbezug
- \*Si prega di scansionare il codice QR perleggi il manuale italiano e conservalo perReferenza futura

## **Instruction manuals**

**<https://s.ecowitt.com/K8WHEN>**

## Help

Our product is continuously changing and improving, particularly online services and associated applications. To download the latest manual and additional help, please contact our technical support team:

**support@ecowitt.com**

**support.eu@ecowitt.net (EU/UK)**

## **1. Parts List**

Two Stainless Steel Straps - Only one is needed, the other is a spare.

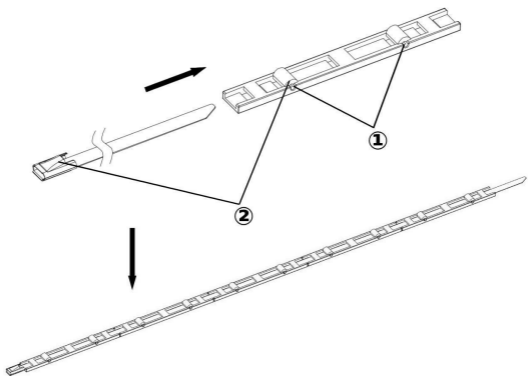
Eight Flexible Silicone Strips.

Sixteen Stainless Steel Pins.

## **2. Installation Steps**

Step 1: Insert the stainless steel strap into the silicone strips.

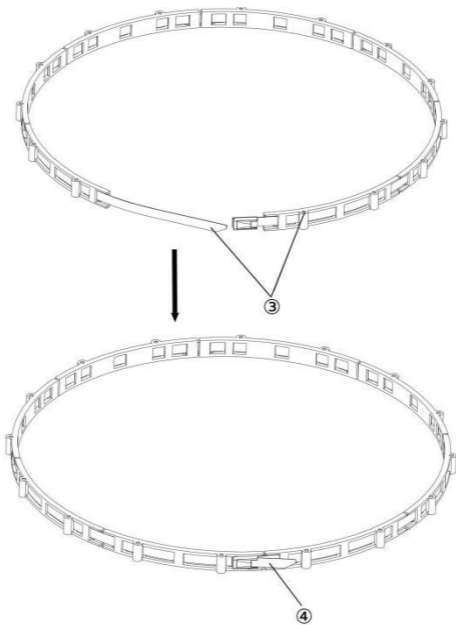
- ① Pin Holes.
- ② The protruding part of the stainless steel strap and silicon strip should be on the same side.



**Figure 1**

Step 2: Bend into a circle.

- ③ Ensure the pin holes are all facing up.
- ④ Leave some space before finishing the circle for the next operation.

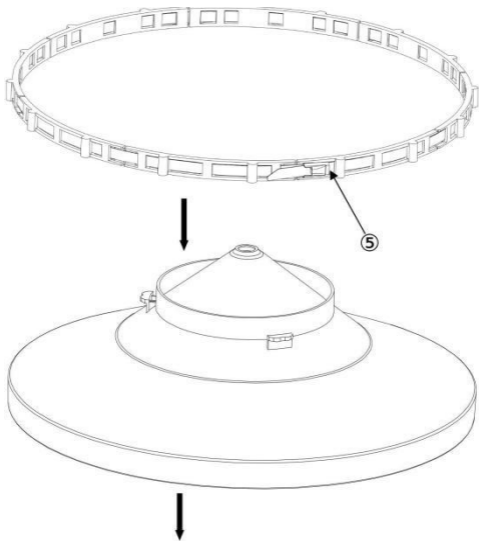


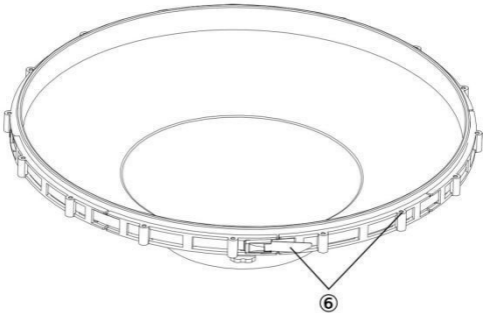
**Figure 2**

Step 3: Place the circle over the rain funnel.

- ⑤ If the tie loop is pulled too small to fit over the rain funnel, insert a spare stainless steel strap at the arrow to push the strap out.
- ⑥ After placing the circle over the rain funnel, ensure the holes face up. Then pre-tighten the circle by hand.

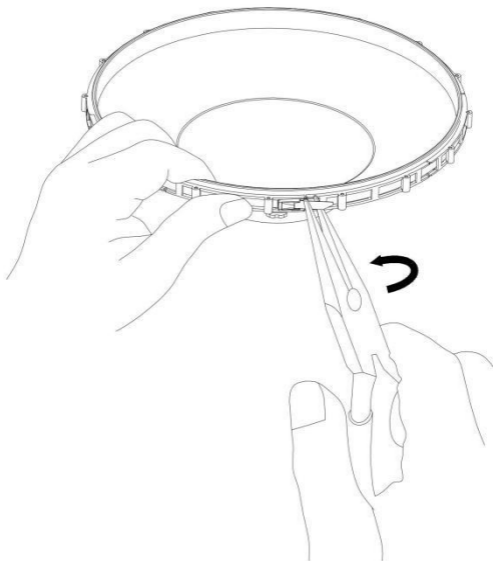






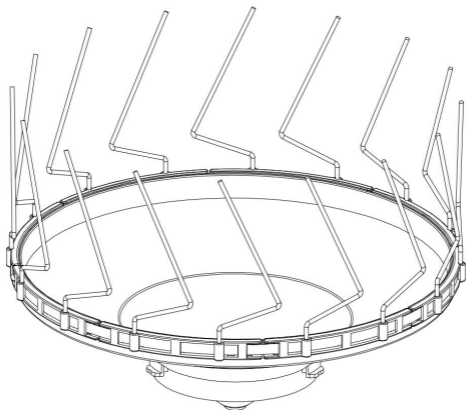
**Figure 3**

Step 4: Use needle nose pliers to pull to the right until the stainless steel strap is tight.



**Figure 4**

**Step 5: Place the stainless steel pins into each hole of the silicone strip.**



**Figure 5**

### 3. Effect Pictures



**Figure 6: for WH40**



**Figure 7: for WS69**



**Figure 8: for WS80**



**Figure 9: for WS90**

## **4. Suggestions**

Install it according to the installation steps. Extra metal straps can be cut out when mounted on WS69, WS80, and WS90.

If the metal strip applied is not tight enough, we suggest applying extra silicon RTV type glue to make the part more securely fixed on funnel edge. The glue can be applied to the pin holes also so that the metal pin will be even tighter installed.

## **5. Warranty Information**

**We disclaim any responsibility for any technical error or printing error, or the consequences thereof.**

**All trademarks and patents are recognized.**

We provide a 1-year limited warranty on this product against manufacturing defects or defects in materials and workmanship.

This limited warranty begins on the original date of purchase and is valid only on products purchased, and only to the original purchaser of this product. To receive warranty service, the purchaser must contact us for problem determination and service procedures.

This limited warranty covers only actual defects within the product itself and does not cover the cost of installation or removal from a fixed installation, normal set-up or adjustments, or claims based on misrepresentation by the seller, or performance variations resulting from installation-related circumstances.