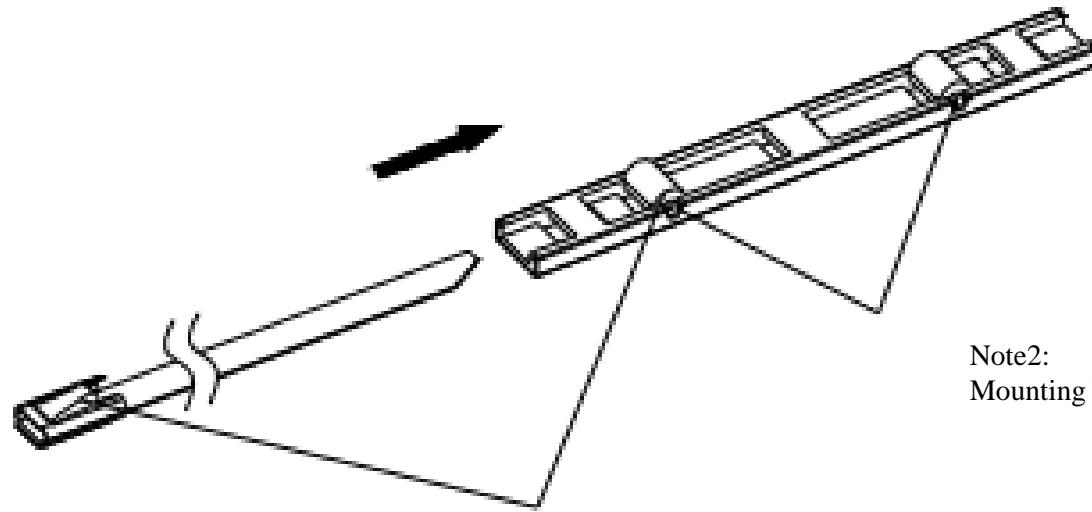


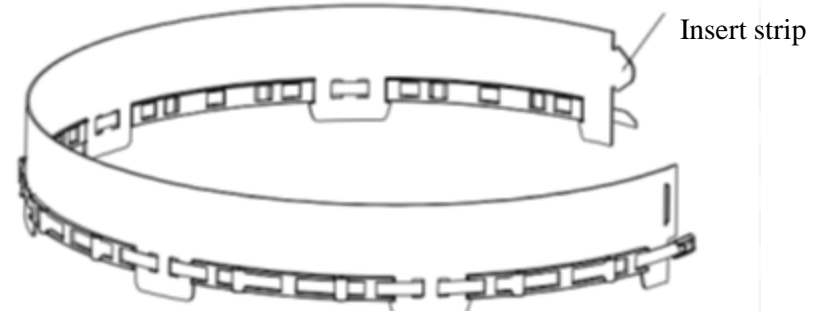
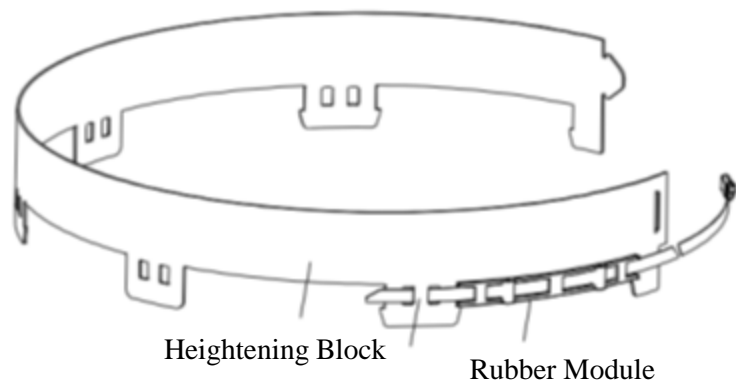
## Step1: Connect the First Rubber Module



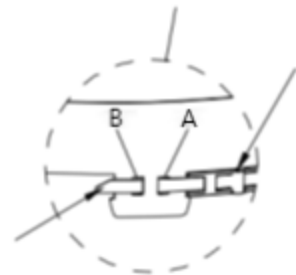
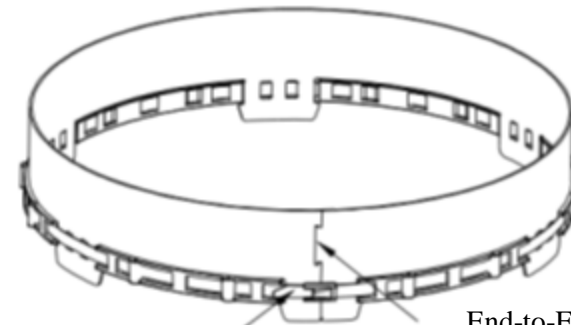
Note2:  
Mounting holes for Bird Pricklers

Note1:  
Please place the stainless steel cable tie  
and the rubber protrusion on the same  
surface

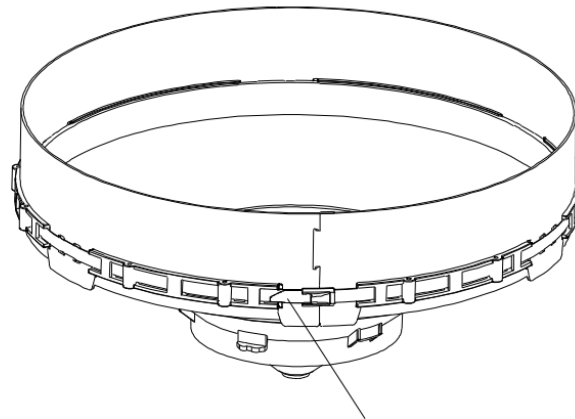
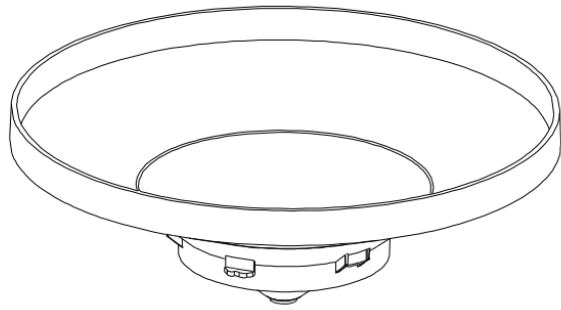
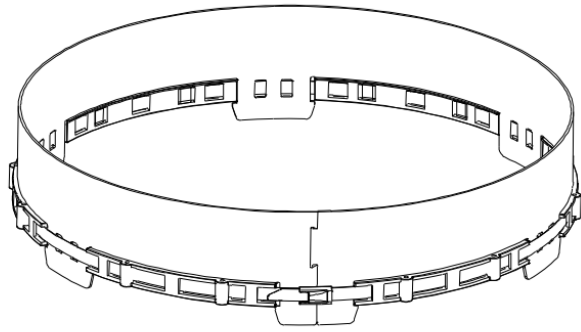
## Step2: Use the Stainless Steel Cable Tie to Connect the Rubber Module with the Heightening Block



Note1:  
Use a stainless steel cable tie to connect the block and 6 rubber module

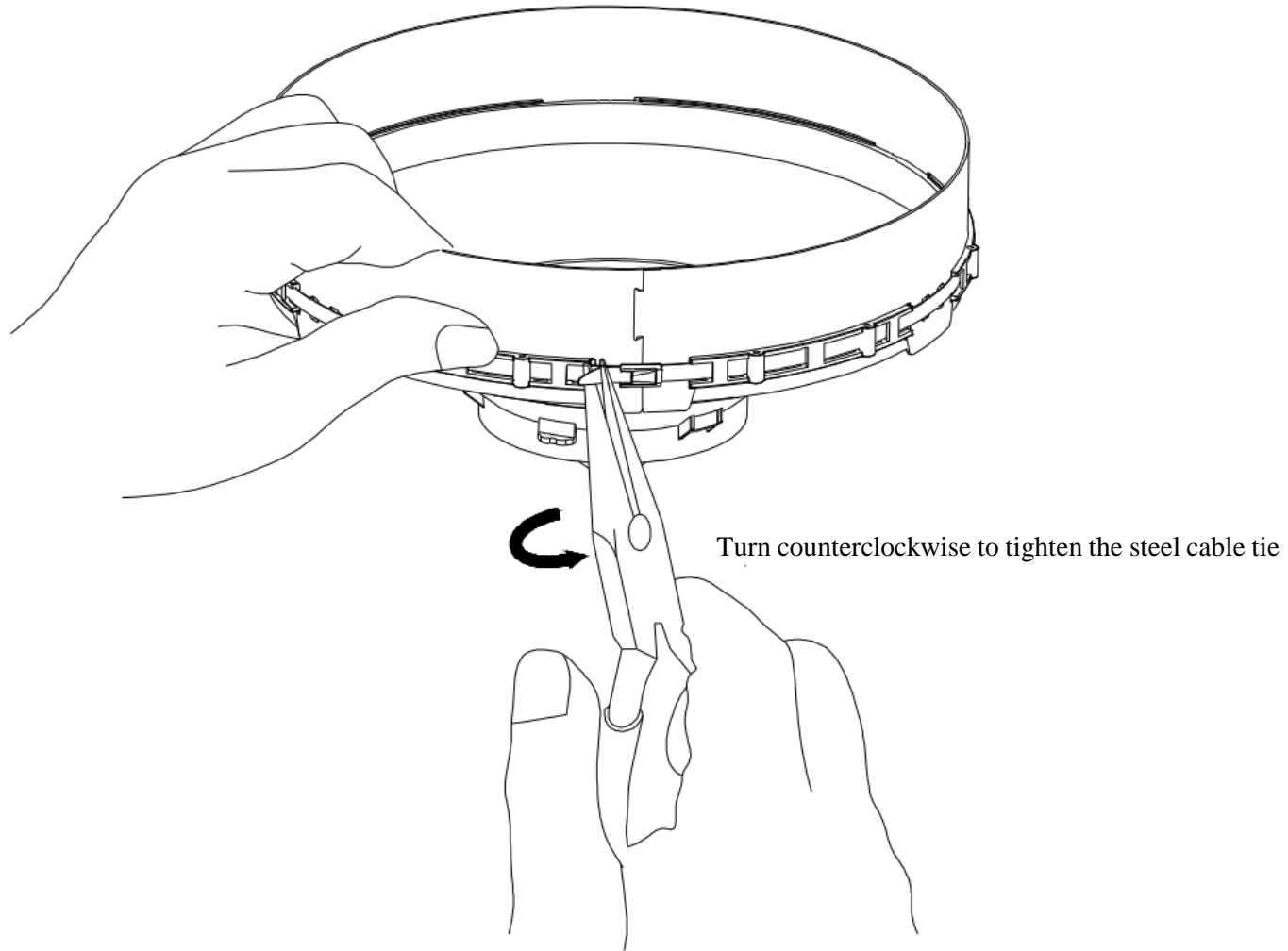


### Step3: Tie the Heightening Block on Rain Cylinder Funnel

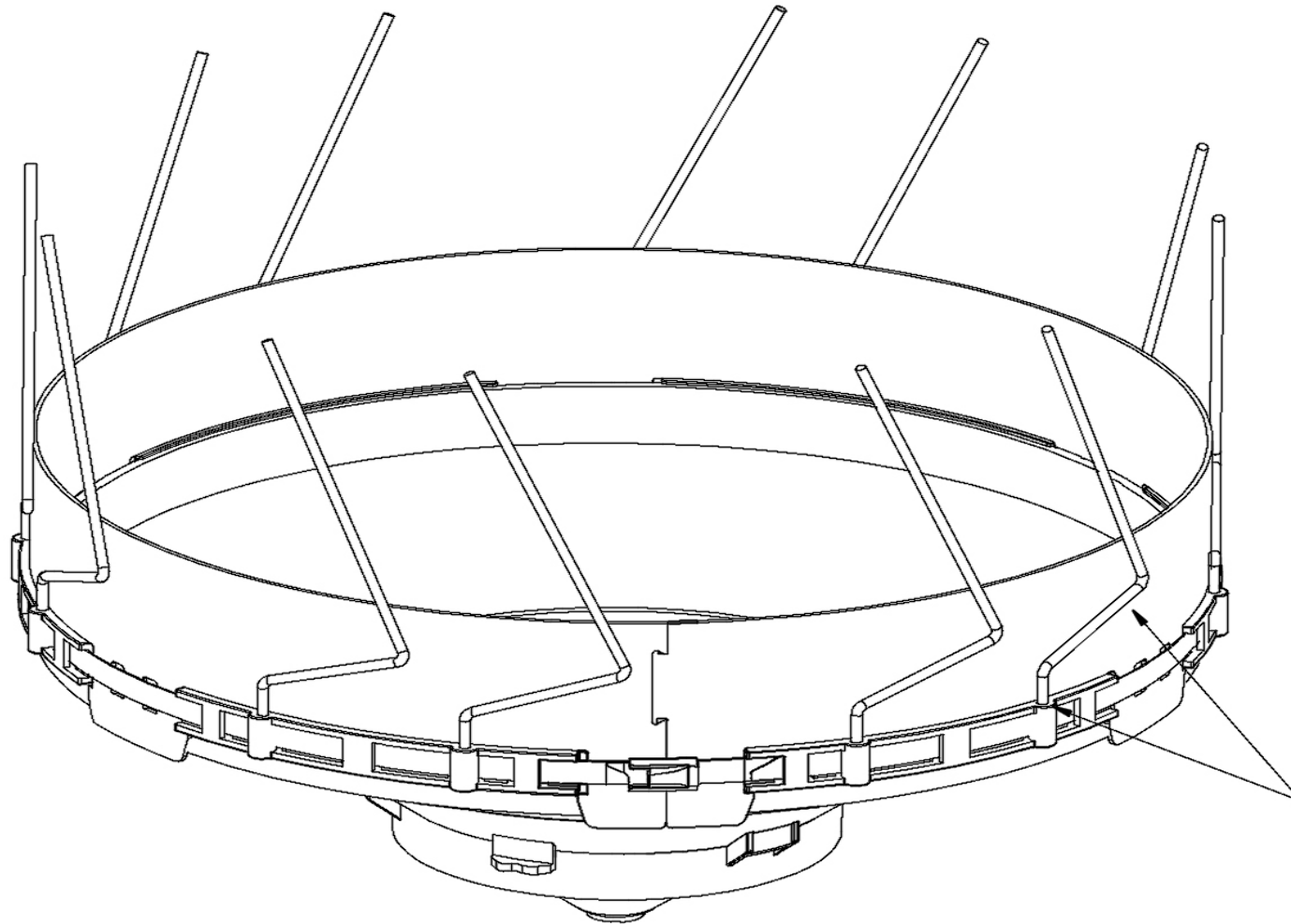


Tighten the steel cable tie by hand after the connection

#### Step4: Tighten the Steel Cable Tie with Needle Nose Pliers



## Step5: Mount Bird Pricklers to Finish



Mount bird pricklers, 12 in all